

## AXIAL ROLLING SYSTEMS

### A-2 / A-2 G / A-2 LH / A-2 G LH

∅ Shank (D)	25	30	1"	1"1/4	1"1/2	VDI 25	VDI 30	VDI 40
	mm.	mm.						

#### for right-hand threads

- A-2 to be used stationary only
- A-2 G for stationary and rotary use
- A-2 LH, A-2 G LH (Left hand heads are dimensionally the same as right hand heads but open and close on the opposite direction.)

- inclined position of rolls = 3°
- weight without rolls = approx. 1.8Kg.

a= Pull off for opening

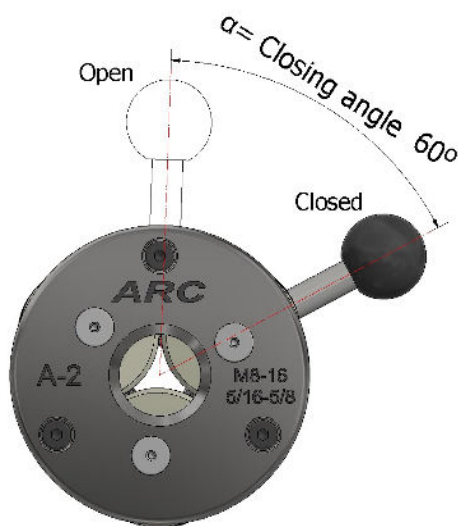
b= head opens type A-2 G, open type A-2

c= head opens type A-2, open type A-2 G

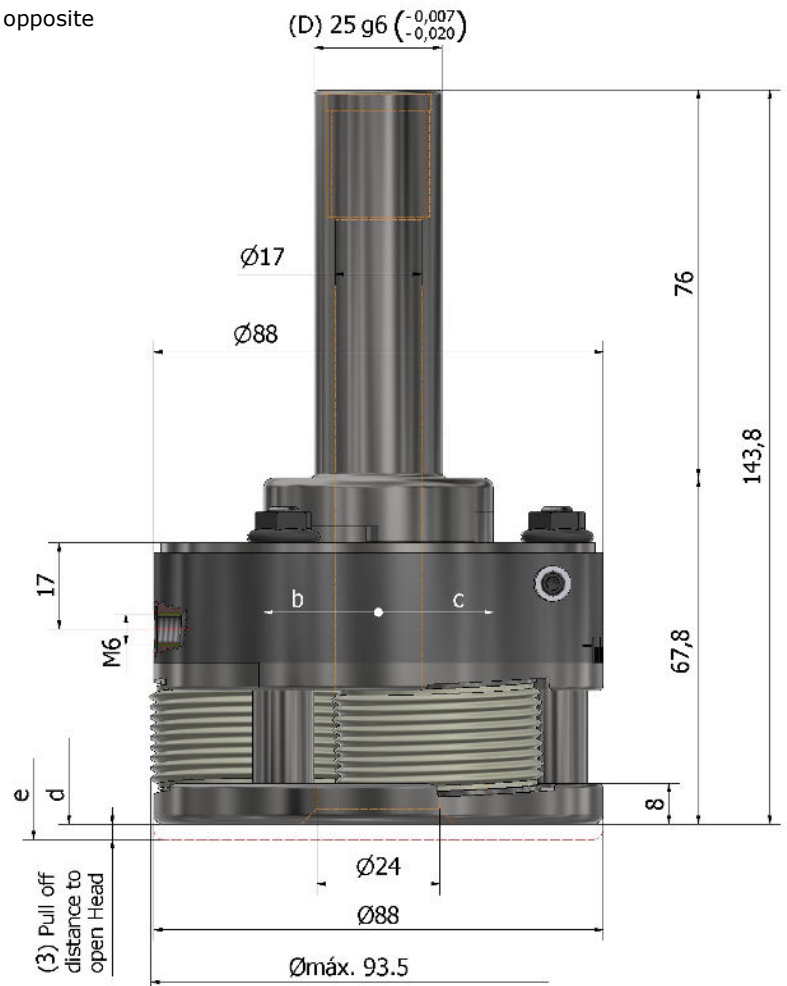
d= Rolling Head closed

e= Rolling Head opened

α= Closing angle 60°



#### General dimensions

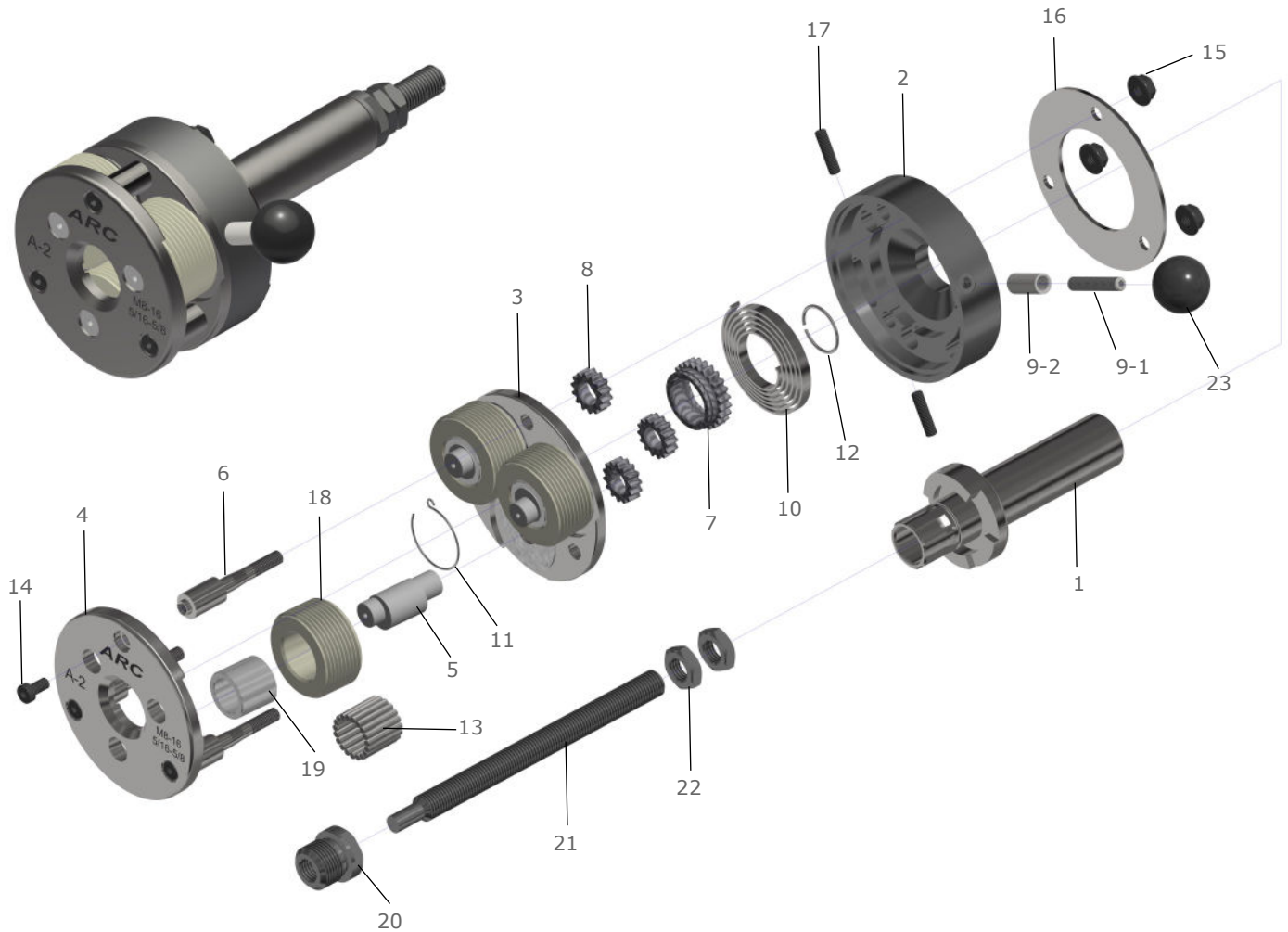


#### Working range

M	MF	UNC	UNF	BSW
M 8 ... 10 x 1,25 M 10 ... 12 x 1,5 M 12 ... 14 x 1,75 M 14 ... 16 x 2	MF 8 ... 10 x 1 MF 10 ... 12 x 1,25 MF 12 ... 14 x 1,5	UNC 5/16 - 18 UNC 3/8 - 16 UNC 7/16 - 14 UNC 1/2 - 13 UNC 9/16 - 12 UNC 5/8 - 11	UNF 5/16... 3/8 - 24 UNF 7/16... 1/2 - 20 UNF 9/16... 5/8 - 18	BSW 5/16 - 18 BSW 3/8 - 16 BSW 7/16 - 14 BSW 1/2... 9/16 - 12 BSW 5/8 - 11
BSF	G	RD	NPT NPTF	RAA RGE
BSF 5/16 - 22 BSF 3/8 - 20 BSF 7/16 - 18 BSF 1/2... 9/16 - 16 BSF 5/8... 11/16 - 14	G 1/8 - 28 G 1/4 - 19 G 3/8 - 19	Rd 16 x 1/8	NPT 1/8 - 27 NPT 1/4 - 18 NPT 3/8 - 18  NPTF 1/8 - 27 NPTF 1/4 - 18 NPTF 3/8 - 18	∅8 ... ∅ 10 x 0,5 ~ ∅14 ... ∅ 16 x 2,0

## SPARE PARTS FOR ROLLING HEADS

A-2 / A-2 G / A-2 LH / A-2 G LH



### Spare parts list for rolling heads

Part. No	Qty.	Part Description
1	1	Shank
2	1	Spring Housing
3	1	Back Plate
4	1	Front Plate
5	3	Eccentric Spindles
6	3	Spacer Studs
7	1	Center Gear
8	3	Outer Gear
9-1	1	Handle Stud
9-2	1	Handle bushing
10	1	Spring
11	1	Circlip

Part. No	Qty.	Part Description
12	1	Circlip
13**	57	Needle Bearings
14	3	Cap Screw
15	3	Hexagon Nut
16	1	Ring Washer
17	2	Head stud
18	3	Thread Roll
20	1	Stop Sleeve
21	1	Stop Screw
22	2	Stop Screw lock-nut

\*\* on request can be supplied with carbide bushings. Part No.: 19 Quantity: 3