

## AXIAL ROLLING SYSTEMS

### A-3 / A-3 G / A-3 LH / A-3 G LH

Ø Shank (D)	25	30	1"	1 1/4"	1 1/2"	VDI	VDI	VDI
	mm.	mm.				25	30	40

### General dimensions

#### for right-hand threads

- A-3 to be used stationary only
- A-3 G for stationary and rotary use
- A-3 LH, A-3 G LH (Left hand heads are dimensionally the same as right hand heads but open and close on the opposite direction.)

- inclined position of rolls = 2°40'

- weight without rolls = approx. 3.5 Kg.

a= Pull off for opening

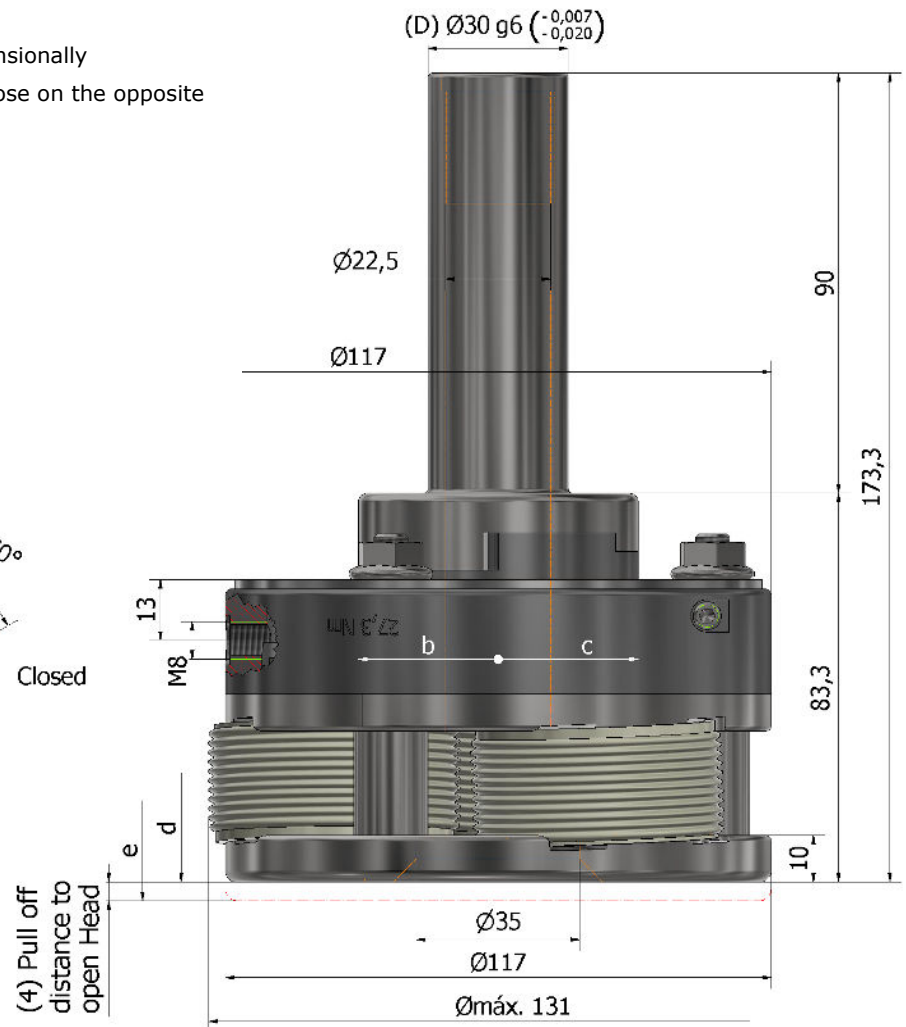
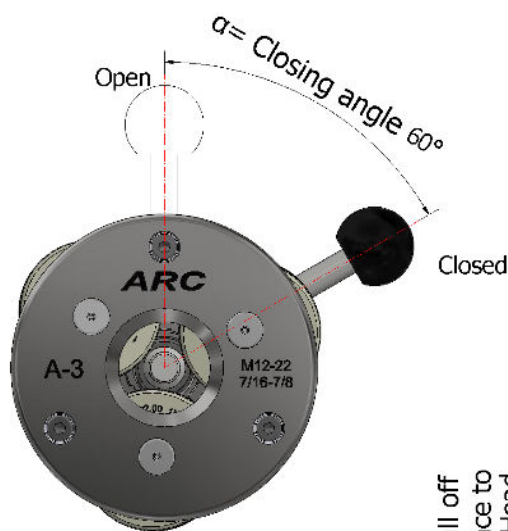
b= head opens type A-3 G, open type A-3

c= head opens type A-3 , open type A-3 G

d= Rolling Head closed

e= Rolling Head opened

α= Closing angle 60°

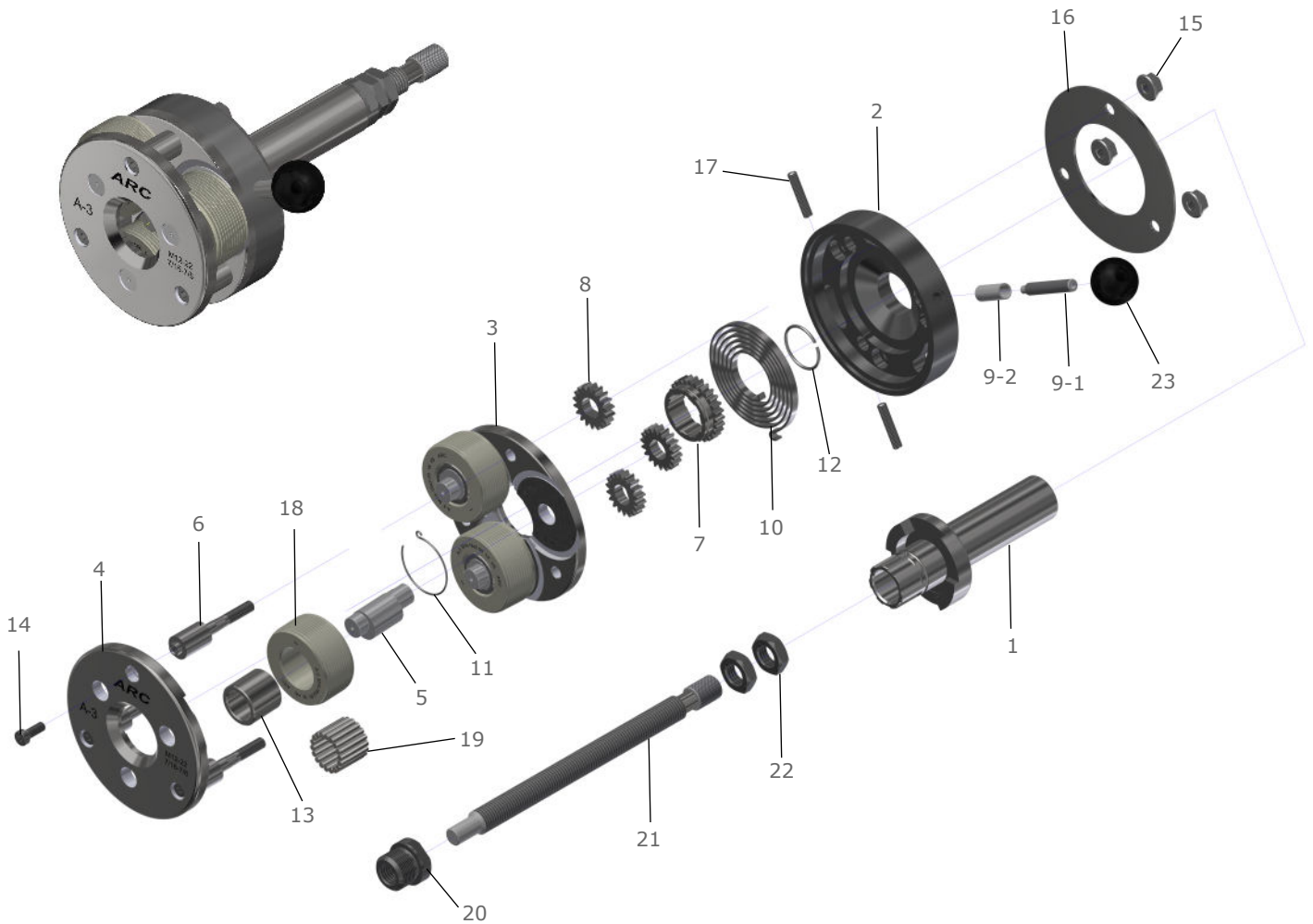


### Working range

M	MF	UNC	UNF	BSW
M 12 ... 14 x 1,75	MF 12 ... 14 x 1,5	UNC 7/16 - 14	UNF 7/16... 1/2 - 20	BSW 7/16 - 14
M 14 ... 16 x 2	MF 14 ... 16 x 1,5	UNC 1/2 - 13	UNF 9/16... 5/8 - 18	BSW 1/2... 9/16 - 12
M 18 ... 20 x 2,5	MF 18 ... 20 x 2	UNC 9/16 - 12	UNF 3/4 - 16	BSW 5/8... 11/16 - 11
M 20 ... 22 x 2,5	MF 20 ... 22 x 2	UNC 5/8 - 11	UNF 7/8 - 14	BSW 3/4 - 10
		UNC 3/4 - 10		BSW 7/8... 15/16 - 9
		UNC 7/8 - 9		
BSF	G	Rd	NPT	RAA
BSF 7/16 - 18	G 1/4... 3/8 - 19	Rd 18-20 x 1/8	NPT 1/4... 3/8 - 18	Ø12 ... Ø22 x 0,5
BSF 1/2... 9/16 - 16	G 1/2 - 14		NPT 1/2 - 14	~
BSF 5/8... 11/16 - 14			NPTF 1/4... 3/8 - 18	Ø12 ... Ø22 x 2,5
BSF 3/4 - 12			NPTF 1/2 - 14	
BSF 7/8... 15/16 - 11				

## SPARE PARTS FOR ROLLING HEADS

A-3 / A-3 G / A-3 LH / A-3 G LH



### Spare parts list for rolling heads

Part. No	Qty.	Part Description
1	1	Shank
2	1	Spring Housing
3	1	Back Plate
4	1	Front Plate
5	3	Eccentric Spindles
6	3	Spacer Studs
7	1	Center Gear
8	3	Outer Gear
9-1	1	Handle Stud
9-2	1	Handle bushing
10	1	Spring
11	1	Circlip

Part. No	Qty.	Part Description
12	1	Circlip
13**	72	Needle Bearings
14	3	Cap Screw
15	3	Hexagon Nut
16	1	Ring Washer
17	2	Head stud
18	3	Thread Roll
20	1	Stop Sleeve
21	1	Stop Screw
22	2	Stop Screw lock-nut

\*\* on request can be supplied with carbide bushings. Part No.: 19 Quantity: 3