

AXIAL ROLLING SYSTEMS

A-34 / A-34 G / A-34 LH / A-34 G LH

Ø Shank (D)	25	30	1"	1 1/4"	1 1/2"	VDI	VDI	VDI
	mm.	mm.				25	30	40

General dimensions

for right-hand threads

- A-34 to be used stationary only
- A-34 G for stationary and rotary use
- A-34 LH, A-34 G LH (Left hand heads are dimensionally the same as right hand heads but open and close on the opposite direction.)

- inclined position of rolls = 1°15

- weight without rolls = approx. 3.5 Kg.

a= Pull off for opening

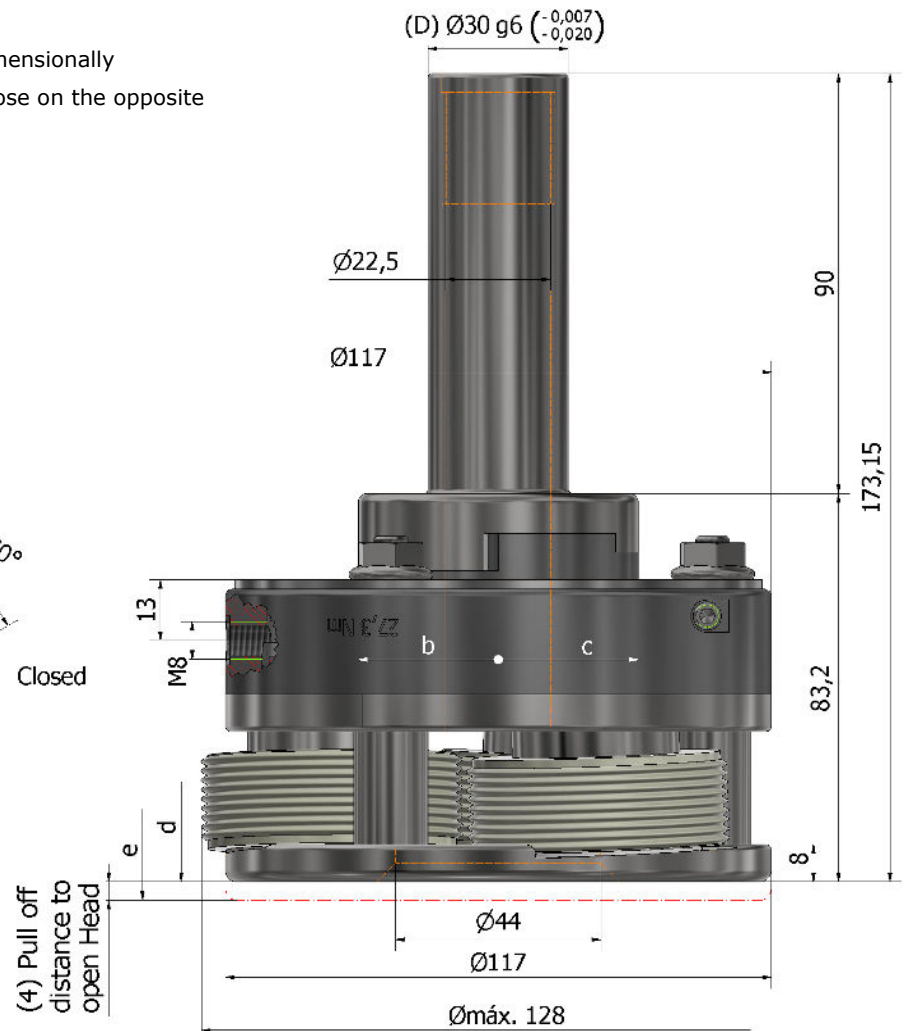
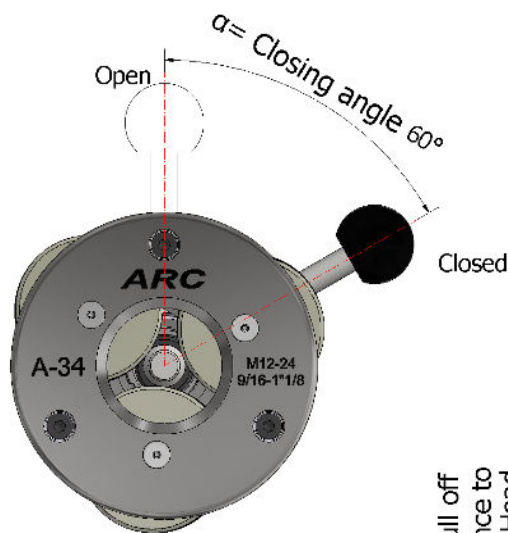
b= head opens type A-34 G, open type A-34

c= head opens type A-34 , open type A-34 G

d= Rolling Head closed

e= Rolling Head opened

α= Closing angle 60°

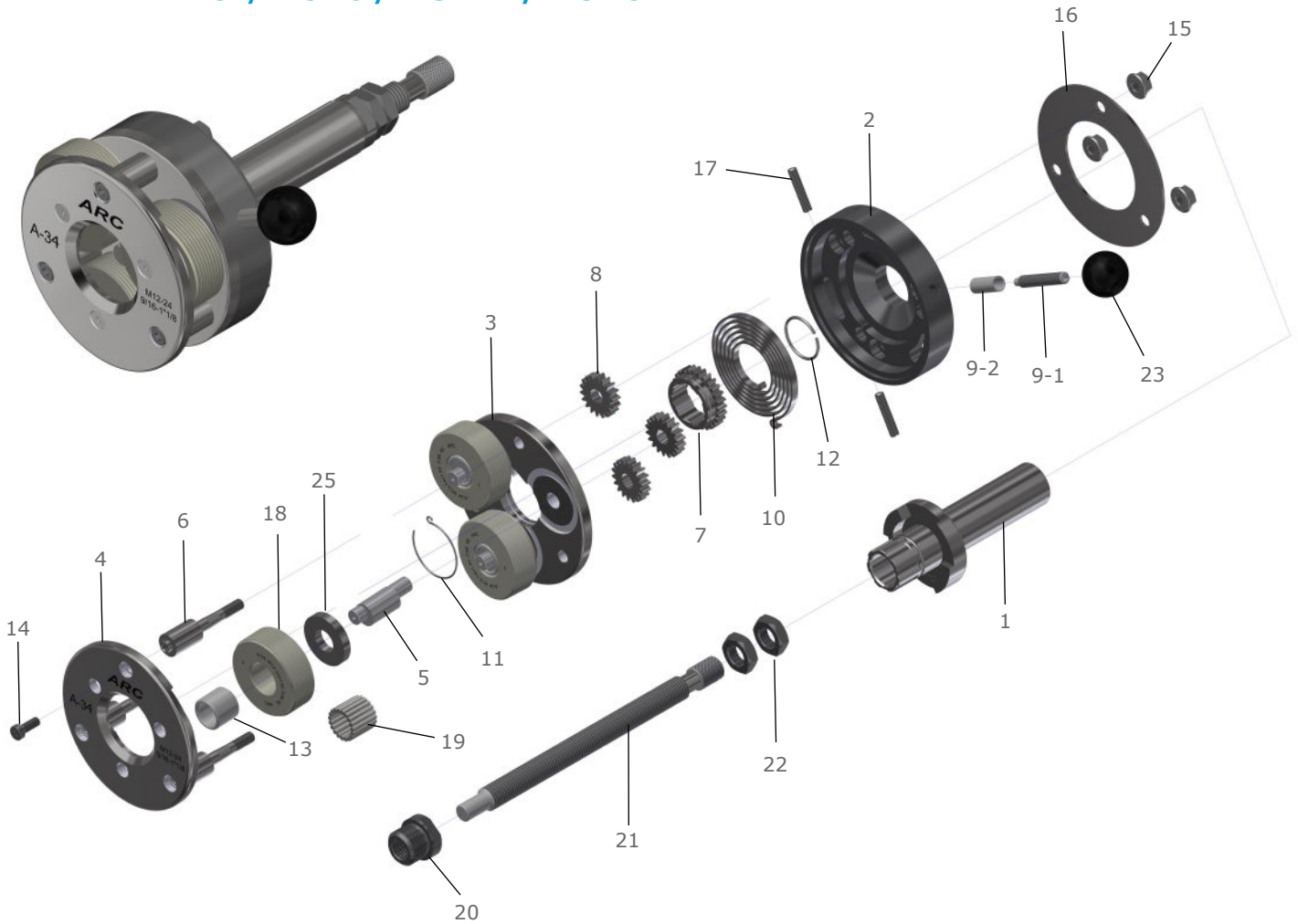


Working range

MF	UN / UNF / UNEF	NPT / NPTF	G	BSFS
MF 12 ... 14 x 1	UNEF 1/2 - 28	NPT 3/4 - 14	G 3/8 - 19	BSFS 9/16... 5/8 - 26
MF 14 ... 16 x 1	UN 5/8... 11/16 - 28	NPT 1/2 - 14	G 1/2 - 14	BSFS 9/16... 5/8 - 20
MF 16 ... 18 x 1	UN 11/16... 3/4 - 28	NPT 3/8 - 18	G 5/8 - 14	BSFS 5/8... 11/16 - 26
MF 18 ... 20 x 1	UN 3/4... 13/16 - 28	NPTF 3/4 - 14	G 3/4 - 14	BSFS 5/8... 11/16 - 20
MF 18 ... 20 x 1.5	UNEF 9/16... 5/8 - 24	NPTF 1/2 - 14	G 7/8 - 14	BSFS 11/16... 3/4 - 26
MF 16 ... 18 x 1.5	UNEF 5/8... 11/16 - 24	NPTF 3/8 - 18		BSFS 11/16... 3/4 - 20
MF 18 ... 20 x 1.5	UN 5/8... 11/16 - 20			BSFS 11/16... 3/4 - 16
MF 20 ... 22 x 1.5	UNEF 3/4... 13/16 - 20			BSFS 3/4... 13/16 - 26
MF 22 ... 24 x 1.5	UNEF 13/16... 7/8 - 20			BSFS 3/4... 13/16 - 20
MF 24 ... 27 x 1.5	UNEF 7/8... 15/16 - 20			BSFS 3/4... 13/16 - 16
MF 27 ... 30 x 1.5	UNEF 15/16... 1 - 20			BSFS 13/16... 7/8 - 20
	UNF 5/8 - 18			BSFS 7/8... 15/16 - 20
	UNEF 11/16 ... 11/8 - 18			BSFS 15/16... 1 - 20
	UNF 11/16... 3/4 - 16			BSFS 11/8 - 12
	UNF 3/4... 13/16 - 16			BSFS 11/16 - 10
	UN 7/8... 15/16 - 16			
	UNF 7/8 - 14			
	UN 7/8... 15/16 - 12			
	UNF 1 - 12			

SPARE PARTS FOR ROLLING HEADS

A-34/ A-34 G / A-34 LH / A-34 G LH



Spare parts list for rolling heads

Part. No	Qty.	Part Description
1	1	Shank
2	1	Spring Housing
3	1	Back Plate
4	1	Front Plate
5	3	Eccentric Spindles
6	3	Spacer Studs
7	1	Center Gear
8	3	Outer Gear
9-1	1	Handle Stud
9-2	1	Handle bushing
10	1	Spring
11	1	Circlip

Part. No	Qty.	Part Description
12	1	Circlip
13**	72	Needle Bearings
14	3	Cap Screw
15	3	Hexagon Nut
16	1	Ring Washer
17	2	Head stud
18	3	Thread Roll
20	1	Stop Sleeve
21	1	Stop Screw
22	2	Stop Screw lock-nut
25	3	Washer

** on request can be supplied with carbide bushings. Part No.: 19 Quantity: 3